

EXCEL ODOR ELIMINATOR

MULTI-TRAY CHARCOAL FILTER

Caution: There are 2 main pieces; a **Top Charcoal Chassis** and a **Bottom Box Blower**. They must be **detached before moving the unit from the skid**.

Step 1: Remove access door from the Top Charcoal Chassis. Now remove all 5 Charcoal Trays from the chassis (**Figure 1**).

Step 2: Now pull up on the Top Charcoal Chassis, this will disconnect the top and bottom pieces (**Figure 2**). Move unit pieces to desired location, placing the Bottom Box Blower on the floor, then mounting the Top Charcoal Chassis on top.

Step 3: Evenly distribute **11lbs (roughly 1.5")** of coconut charcoal on each of the 5 trays, using the entire 55lbs bag.

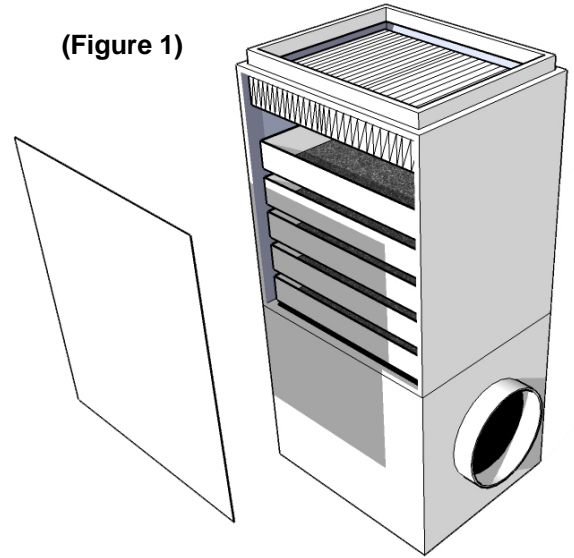
Step 4: Place all 5 Charcoal Trays in the chassis and fasten the front panel onto the chassis.

Step 5: Plug the power cord into **120 VOLT** power supply and turn unit to **HIGH** setting.

EXTRA: To have maximum efficiency out of the Excel Odor Eliminator make sure to change the top throw away filter when first signs of clogging appear as changing this filter regularly will reduce the need in changing the specialized pleated filter and coconut charcoal.

For any questions regarding installation please call toll free **1-877-728-0757** or visit **www.excelair.ca**.

(Figure 1)



(Figure 2)

